

FS and FD Cast Hub Device Boxes

UNILETS™ for use with Threaded Rigid Conduit and IMC. All device boxes have ridge top construction.

CEC:
Listed for Ordinary Locations

Size			Gray Iron Weight kg (lb)	Catalog Number		Aluminum Weight kg (lb)	Catalog Number
------	--	--	-----------------------------	----------------	--	----------------------------	----------------

FS Three Gang Bodies



3/4	Shallow	3.60 (1.63)	FSC-23	Shallow	0.54 (1.20)	FSC-23A
1	Deep	4.00 (1.81)	FDC-33	Deep	0.60 (1.33)	FDC-33A

Description	Weight Per 100 kg (lb)	Catalog Number
-------------	---------------------------	----------------

Three Gang Covers



Duplex Receptacle Cover, Steel – Zinc Electroplate 10.43 (23.00) **FS-63** ①



Tumbler Switch, Steel –Zinc Electroplate 11.34 (25.00) **FS-93** ①

Weatherproof Covers

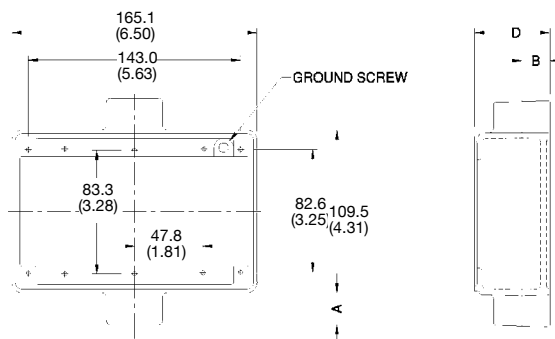


Blank Cover, Gray Iron 54.43 (120.00) **FS-300G** ①



For external operation of tumbler or toggle switches with square handles 149.69 (330.00) **FSK-3VTS**

Dimensions in Millimeters (Inches)



Three Gang Devices

Hub Size	D					
	A	B	C	FS	FD	E
1/2	19.1 (0.75)	16.0 (0.63)	35.1 (1.38)	50.8 (2.00)	69.9 (2.75)	55.6 (2.19)
1	22.4 (0.88)	22.4 (0.88)	31.8 (1.25)	50.8 (2.00)	69.9 (2.75)	55.6 (2.19)

① Available in Aluminum: Add suffix -A to catalog number.